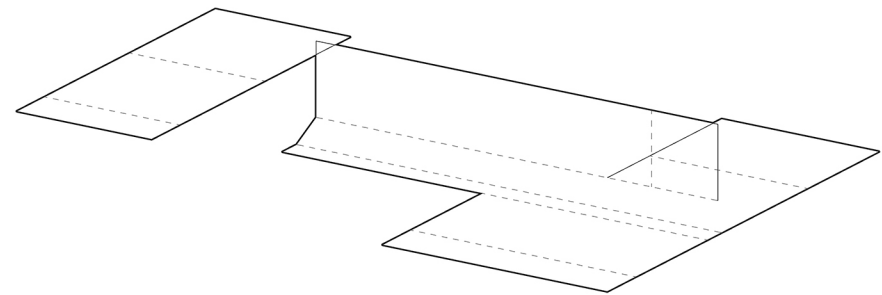


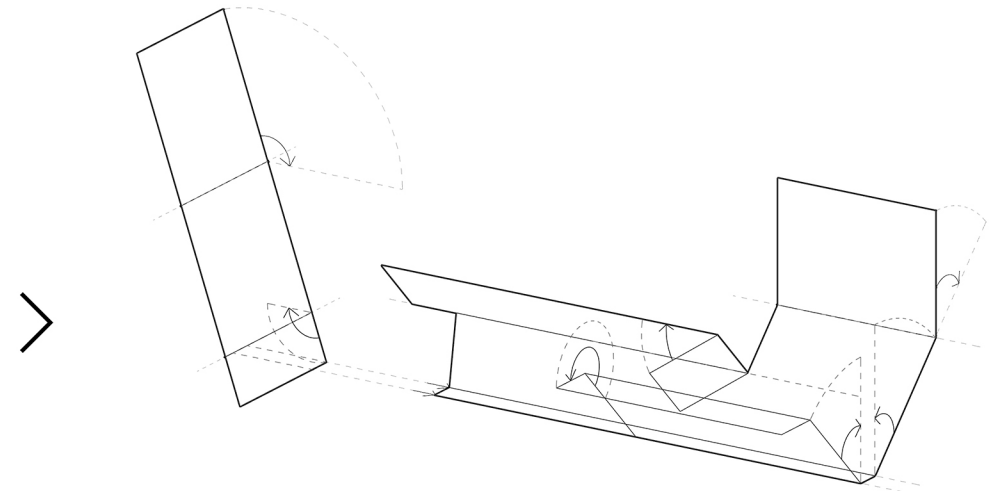
KARA

We believe that a coffee table is an object more than prevalent samples with one flat surface in a specific height, which dictate their function to the users. A table should respond to its consumers positions, if they want to stand, sit or lean. KARA tries to be compatible with its user's needs to the best extend. It provides surfaces for putting different objects, stands for books and magazines and even spots to lean legs on.

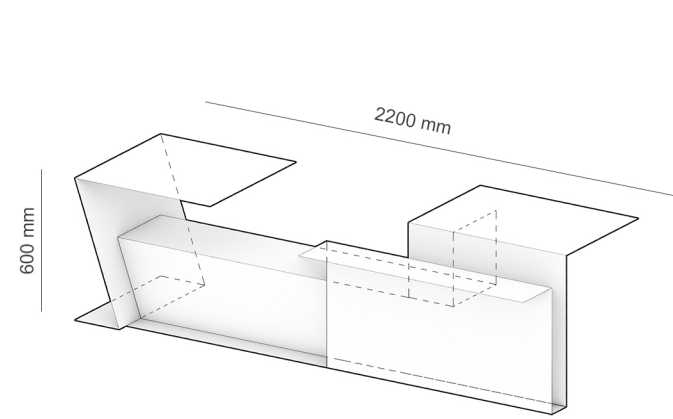
KARA's material are concrete and metal, which folded metal sheets form its main body and the movable concrete pieces balance the table weight. We have chosen raw materials for natural and organic look of the design. Moreover, we add alum coating on metal sheets to oxide gradually during years and generate orange patterns on the table's body while living as a furniture at users' place.



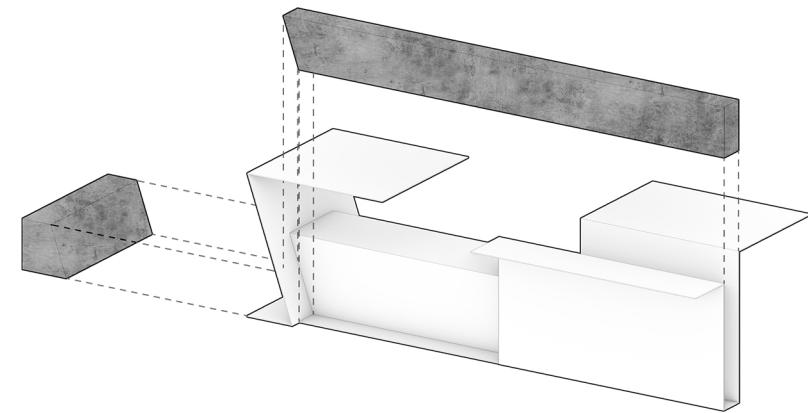
Flat Metal Piece



Folding Metal Sheets



Adding Concrete Blocks to Balance Weight





KARA's Height Variation Makes It Compatible with the Users